



OFFICE OF THE PANCHAYAT SAMITI, KUNDRRA

No. 390 /2023

Dated. 21 .02.2023

Invitation of Expression of Interest

Panchayat Samiti, Kundra, invites sealed bid on Expression of Interest for selection of vendor for Supply & Installation of Ornamentals Lights and Pole at Badadanda (Jagannath Road), Kundra for Beautification and Illumination Under Panchayat Samiti, Kundra from the intending reputed and ISO Certified firms/ Manufacture/ Authorized Dealers having valid HT/ LT License wherever as applicable from the Govt. of Odisha. The bidder who fulfils all qualifications and criteria as specified can submit the expression of interest for the purpose. The quoted price shall be inclusive of GST but inclusive of other taxes and conveyance charges for supplying, installation, commissioning including erection and post maintenance or 2 years warranty for replacement in-situ in different places of Panchayat Samiti, Kundra.

The detailed specifications, General Terms & Conditions Scope of work has been provided in scheduled Bid document at Annexure-1, II & III.


The bid documents can be obtained from the office of Block Development Officer, Kundra on deposit of Rs 5,000/- (Rupees Five thousand only) (Non Refundable) towards Tender Paper in shape of Bank Draft/Bankers cheque (drawn in any Nationalized Bank in favour of B.D O KUNDRRA) payable at State Bank of India, Jeypore during the office hours from 23.02.2023 to 16.03.2023 till 5.50 P.M (Excluding holidays) towards cost bid papers. The Bids Should reach to The Block Development Officer, Kundra through Registered Post/ Speed Post only up to 5.30 PM of Dt. 16.03.2023 and the Bid shall be opened on 11.00 A.M onwards Dt. 17.03.2023 in presence of tenderer or their Authorized representatives who may be present at the time of Opening of Tender. BDO, Kundra will no way be responsible for any delay in receipt of Tender Documents.

The filled up bid documents shall be enclosed in a sealed envelope super scribing "Bid for Supply & Installation of Ornamentals Lights and Pole at Badadanda (Jagannath Road), Kundra for Beautification and Illumination Under Panchayat Samiti, Kundra. "The bid papers completed in all aspect shall be submitted to Block Development Officer, Kundra through Speed Post/Registered Post only". The bid documents received beyond the stipulated date & time agencies shall be rejected.

The scheduled bid documents can also be downloaded from website i.e. www.koraput.nic.in. In such case the bidder shall enclose Bank Draft/ Demand Draft Rs.5,000/- (non-refundable) towards Tender Paper Cost drawn in favor of Block Development Officer, Kundra along with the bid papers as a cost of bid documents. This quotation call notice shall be also available in office website www.koraput.nic.in for wide publication & download the quotation paper.

The authority reserve all rights to cancel all bids or any of the bid documents without assigning any reason thereof.

Block Development Officer
Kundra


21.2.23



**Schedule Bid for Expression
of Interest for selection of
vendor for Supply &
Installation of Ornamentals
Lights and Poles at
Badadanda (Jagannath Road),
Kundra for Beautification and
Illumination under Panchayat
Samiti, Kundra**

OFFICE OF THE PANCHAYAT SAMITI, KUNDRA

Crucial Details of Tender Call Notice

TENDER CALL NOTICE	:	TCN NO. 390/23	DATE.21.02.2023.
Name of the work	:	Schedule Bid for Expression of Interest for selection of vendor for Supply & Installation of Ornamentals Lights and Pole at Badadanda (Jagannath Road), Kundra for Beautification and Illumination Under Panchayat Samiti, Kundra.	
Cost of Tender document	:	5,000/- (Rupees Five Thousand) Non-refundable	
AGENCY	:	As per eligibility criteria	
Period of Sale/Down load of Tender document	:	Dt.23.02.2023 to Dt.16.03.2023 up to 5.30 PM	
Last Date for receipt of Filled in Tender document	:	Dt.16.03.2023 up to 5.30 P.M.	
Place & Date of Opening of bid	:	Conference hall of the Panchayat Samiti, Kundra Dt. 17.03.2023 at 11.00 A.M. onwards	
Officer invited the Tender	:	Block Development Officer on behalf of Panchayat Samiti, Kundra.	

Signature of Tenderer/Agency

OFFICE OF THE PANCHAYAT SAMITI, KUNDRA

TENDER PAPER

TECHNICAL TENDER DOCUMENT

(To be enveloped in Separate sealed Cover)


NAME OF WORK	Schedule Bid for Expression of Interest for selection of vendor for Supply & Installation of Ornaments Lights and Pole at Badadanda (Jagannath Road), Kundra for Beautification and Illumination Under Panchayat Samiti, Kundra
--------------	---





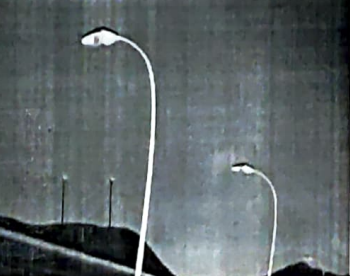
Issued against Bank Draft No. _____ Dt. _____
drawn on _____
For Rs. _____

Cashier/ Sr.Revenue Assistant

Signature of Tenderer/Agency

DESCRIPTION OF ITEM ALONG WITH TECHNICAL SPECIFICATION

Sl. No.	Description Item	
1	Supply & Installation of Ornaments Lights and Pole at Badadanda (Jagannath Road), Kundra Under Pachhayat Samiti, Kundra 2 year product warranty with free replacement and to be completed as per direction of Asst. Executive Engineer, Kundra.	Reputed ISO certified organization / Manufacturer/ Dealer i.e. Orient/ Havells/ Jaquar/ Bajaj/ Hallonix
2	Supply and erection of 9mtr long hot dip Galvanized steel tubular poles. Bottom Section: Outer dia 165.1mm, thickness 4.5mm, length 5000mm Middle Section: Outrdia 139.7mm, thickness 3.65mm, length 2250mm Top Section: Outer dia 114.3mm, thickness 3.2mm, length 2250mm Base Plate 33x300x25mm shall be welded to the bottom of the pole.	
3	Erection of Poles completes with outreach arms, stringing of AB Cable, installation of 120 watt LED lights in complete shape.	
4	Supply of New Generation energy saving and environmental friendly long life 120 watt LED Street Light Fittings complete Die cast Aluminum Housing with High Efficiency LEDs as lighting source and Lens embedded PC cover having top opening separate Driver compartment with IP66 protection and impact resistance of IK07.	
5	Supply of Aluminum Bunch Cables for erecting of 120 W LED Street Light Fittings.	
6	Supply and erection of 4mtr long hot dip Galvanized steel tubular poles with New Generation energy saving and environmental friendly long life 70 Watt LED Street Light Fittings complete Die cast Aluminum Housing with High Efficiency LEDs as lighting source and Lens embedded PC cover having top opening separate Driver compartment with IP66 protection and impact resistance of IK07 complete set with Cables, etc.	
7	a).Pole:-. Aesthetically designed decorative hot dipped Galvanized Mild Steel Step pole with Grey powder finish as per the direction of the Asst. Executive Engineer	
9	Coral LED Post Top	

10	LED step light	
11	LED step light	
12	LED step light	
13	LED step light	
14	LED step light	

Note:-

- The price should be quoted per unit only inclusive of all incidental cost and taxes ,Transportation cost ,Labor Cost ,Warranty and Office Set up
- GST Should be included at quoted price.

Financial Bid

Description of Item	Unit	Integrated All in one type	
		Figure	In Words
Led Post-Top IP65 (with Pole), 30wt	1set		
Led Post-Top IP65 (with Pole), 45wt	1set		
LED bollard light IP 65 ,10wt	1Set		
Spike light IP65 , 3wt	1Set		
Spike light IP65 , 6wt	1Set		
Spike light IP65 ,9wt	1Set		
Coral LED Post Top	1Set		
LED steplight IP54, 3wt	1Set		
LED steplight IP54, 6wt	1Set		
LED Ground Burial light IP67,15wt	1Set		
Turin Led Bollard, 10Watt Led 830PS	1Set		
Grandeur Led Light Column, 36Watt 830PS	1Set		
Eros Led Post Top, 72Watt 730PS	1Set		
Eros Led Post Top, 45Watt 730PS	1Set		
Eros Decorative Arms, Orbit S round Arm	1Set		
Banner Arms, Single	1Set		
Banner Arms, Double	1Set		
Cone Led Bollard, 8Watt 830 PS	1Set		
Mount Led Bollard, 10Watt 830 PS	1Set		
Rope light IP-65 for all poles (Havels)	Per Mtr.		
Rope light IP-65 for all poles (HPL)	Per Mtr.		
Rope light IP-65 for all poles (Holonix)	Per Mtr.		
Galvanized mild Steel step pole with grey powder finish	Per Pole		
Supply & Installation of Ornamentals Lights and Pole at Badadanda (Jagannath Road), Kundra for beautification and illumination Under Panchayat Samiti, Kundra , 2 year product warranty with free replacement is to be completed as per direction of Asst. Executive Engineer, Kundra	1set		

Supply and erection of 9mtr long hot dip Galvanized steel tubular poles. Bottom Section: Outer dia 165.1mm, thickness 4.5mm, length 5000mm Middle Section: Outrdia 139.7mm, thickness 3.65mm, length 2250mm Top Section: Outer dia 114.3mm, thickness 3.2mm, length 2250mm Base Plate 33x300x25mm shall be welded to the bottom of the pole.	1set		
Erection of Poles complete with outreach arms, stringing of AB Cable, installation of 120 watt LED lights in complete shape.			
Supply of New Generation energy saving and environmental friendly long life 120 watt LED Street Light Fittings complete Die cast Aluminum Housing with High Efficiency LEDs as lighting source and Lens embedded PC cover having top opening separate Driver compartment with IP66 protection and impact resistance of IK07.	1set		
Supply of Aluminum Bunch Cables for erecting of 120 W LED Street Light Fittings.	Per mtr		
Supply and erection of 4mtr long hot dip Galvanized steel tubular poles with New Generation energy saving and environmental friendly long life 70 Watt LED Street Light Fittings complete Die cast Aluminum Housing with High Efficiency LEDs as lighting source and Lens embedded PC cover having top opening separate Driver compartment with IP66 protection and impact resistance of IK07 complete set with Cables, etc.	1set		

The specific images of the above items are attached in annexure-I

Annexure-III

Note:-The price should be quoted per unit only inclusive of all incidental Cost & Truces, Transportation cost, labour Cost , Warranty , Office Set up etc

- GST Should be inclusive.

Signature of the Tenderer/Agency

TECHNICAL BID**GENERAL PARTICULARS TO BE SUBMITTED BY THE TENDERER**

1	Name of Bidder /Firm:	
2	Postal Address	
3	E-mail address for communication	
4	Telephone, Fax No	
5	Name, designation & Contact Number of the representative of the tender to whom all reference shall be made	
6	Nature of the Firm (Individual / Partnership / Pvt. / Public Ltd / Public Sector) (Please attach attested copy of registration):	
7	Amount and particulars of the cost of tender paper deposited (enclose DD)	
9	GST Registration No. (copy to be enclosed)	
10	PAN CARD No. (Enclosed Xerox copy). Last 3 years IT Return filed Copy :	
11	Average Annual Turnover Rs 1 Crore since last 3 years. (Balance Sheet and Profit & loss of last 3 years.)	
12	Undertaking on the firm being not blacklisted / disbarred by any institution on any ground	
13	Experience in Similar nature of Work backed by satisfactory certificate from any Govt. Institutions	

Signature of the Bidder with Seal

CHECK LIST FOR SUBMISSION OF DOCUMENTS

Documents to be enclosed:

1. Copy of valid Electrical & MV/HT License, if applicable.
2. Copy of audited balance sheet and profit/ loss account for the last three years.
3. Satisfactory Certificate from Govt. institutions as proof of experience in installation of Ornamental lights in any Park or garden during last 2 years.
4. Xerox copy of Income Tax/ PAN CARD of the firm with last 3 years IT Return and GST Certificate.
5. Original Demand draft toward cost of tender paper.
6. Undertaking to unconditional acceptance of all terms and conditions of the bid document.
7. Technical Bid.
8. Financial Bid.
9. Registration Certificate of the Firm/Individual/Joint Venture, if applicable.
10. Other documents, if any, as the bidder wants to enclose.

Signature of the Tenderer/Agency

General Terms and Conditions:

1. The bid documents to be submitted in sealed cover and shall contain a copy of tender document as a token of acceptance of terms and conditions. Attested copy of valid registration certificate, PAN card & valid GST registration.
2. The sealed cover shall carry two number of sealed envelope inside.
 - a. One cover for technical bid containing all the documents, related Bank drafts, technical bid paper, etc., clearly superscript as TECHNICAL BID on the envelope.
 - b. One cover for financial bid containing only financial bid enclosed in the sealed cover of FINANCIAL BID on the envelope.
3. The technical bid will be evaluated first. The financial bid will be opened and evaluated of successfully qualified technical bidders only. The financial evaluation will be done on L1 basis for each item of work. The work order will be awarded to the most responsive L1 bidder. However, the authority reserves right to accept or reject the L1 rate offered by the bidder.
4. The offer shall be valid for minimum of 1 (one) year from the date of finalization of tender.
6. The bidder shall bear insurance, force measure damages, inventory storage facility, replacing the defect materials, service center setup, etc. at his own cost.
7. Any dispute arises shall be settled in the court of law within the jurisdiction of Koraput District.
8. Limitation of liability- the authority/Govt. will in no case is responsible for any accidental fatal or non-fatal, caused by any worker or outsider in course of transportation and execution of work. The cost of experience including treatment or compensation will entirely be borne by the bidder.

Signature of Tenderer/Agency